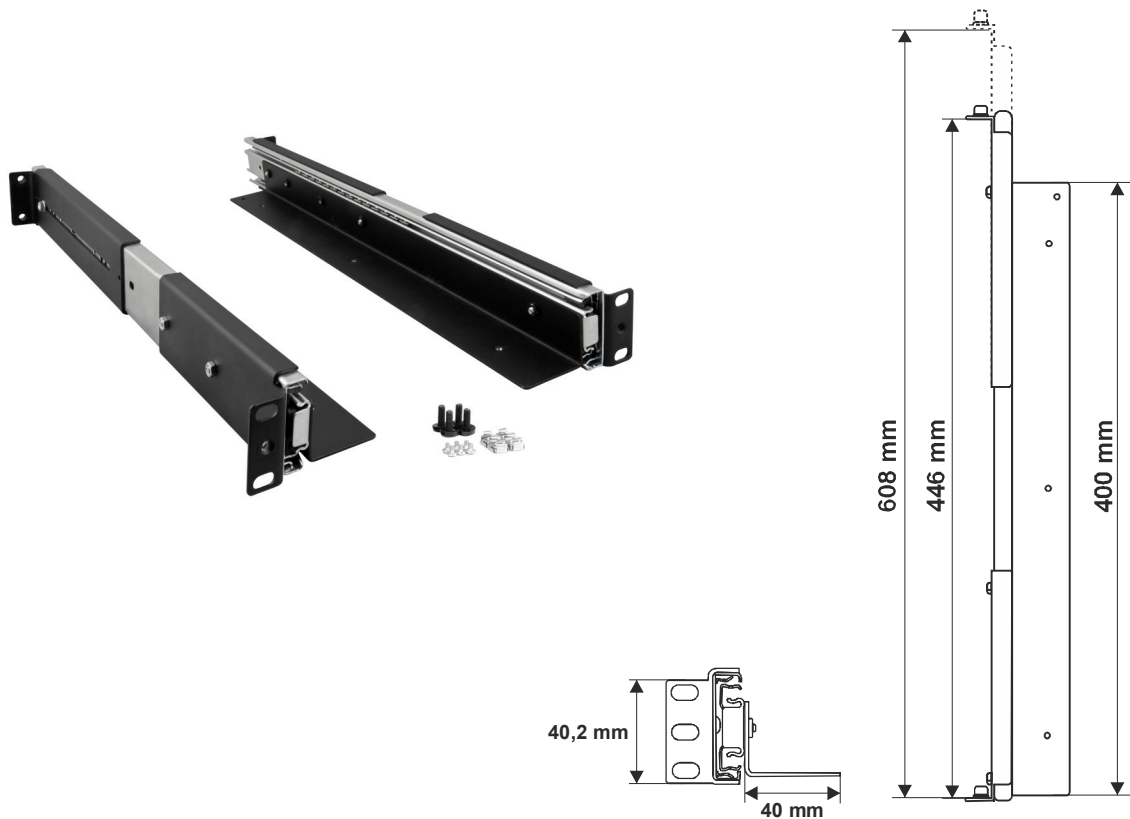


CODE: **ARAS600** v.1.2/IV
 NAME: **ARAD rails dedicated for RACK19" cabinets - 600mm depth**



INTENDED USE

The ARAS600 rail is intended for mounting RACK enclosures, type: ARAD2/ ARAD3/ ARAD4 in a 600mm deep RACK 19" cabinet.

SPECIFICATIONS

| | |
|--------------------------------|--|
| Mounting dimensions: | H=1U, D=415+608 [mm, +/-2] |
| Net / gross weight: | 2,49 / 2,58 [kg] |
| Materials: | - sheet metal DC01, 1mm thick, RAL9005 - sliding rails – fully extendable |
| Static load: | 30kg |
| Notes: | - four-point butt mounting to RACK profiles + supported on front and rear RACK profiles - 4 M6 screws + cage nuts included - 6 M4 screws included – to bolt the RACK enclosure |
| Use: | inside |
| Declarations, warranty: | CE, 2 year from the production date |